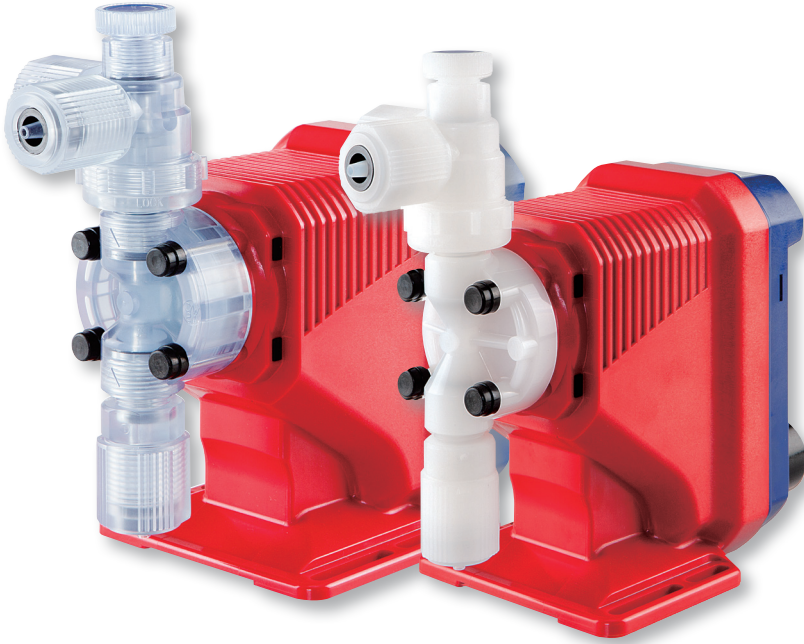


# Chemical Injection Pump

## EJ Series Metering Pump

The EJ Series provides precise chemical injection at an economical price.



Universal voltage capability enables operation from 100 - 240 VAC in virtually all countries. The EJ Series are compact, simple to operate and have outputs to 3.2 GPH (12.0 LPH) and a maximum pressure of 175 PSI (1.2 MPa).



### KEY BENEFITS

- **High Speed Performance**  
The EJ Series operate at 360 strokes-per-minute, providing high resolution chemical feed and high turndown capability. Most competitive products operate at slower speeds, resulting in slug feeding, accelerated diaphragm wear and poor feed control.
- **Universal Voltage**  
The Universal Voltage Function enables the EJ Series to operate at any AC voltage. The EJ Series also conform to global standards.
- **External Control**  
The EJ Series have both digital input and Stop/Start inputs built into the pump, enabling either proportional or On/Off control.
- **IP65 Equivalent Protection**  
A robust housing protects the pump from normal wear. Mounting the Digital Display and Key Pad control within the drive housing creates a highly water resistant design. A clear cover further protects the pump from liquids.

**W A L C H E M**

IWAKI America Inc.

# SPECIFICATIONS

## PUMP

Model		B09*	B11	B16	B21	B31	B31-L
Max. capacity	GPH (mL/min)	0.3 (19)	0.5 (30)	0.8 (50)	1.3 (80)	2.4 (150)	3.2 (200)
Max. discharge pressure	PSI (MPa)	175 (1.2)	150 (1.0)	90 (0.6)	45 (0.3)	30 (0.2)	22 (0.15)
Stroke rate	spm	1 to 360					
Power consumption	W	15					
Current (Input)	A	0.8					
Shipping Weight	lbs (kg)	8.0 (3.6)					

- Specifications based on water at rated voltage and ambient temperature.
- Flow rates were collected at the maximum discharge pressure and 360spm. Degassing option derates capacity by approximately 20%.
- \*B09 size is available in PVC liquid ends only
- Flow rate increases as discharge pressure decreases.
- Allowable ambient temperature: 0 to 104°F (0 to 40°C)
- Allowable liquid temperature: 0 to 104°F (0 to 40°C)
- Allowable power voltage deviation: ±10% of the rated voltage
- Noise level: 65dB at 10 ft. (A scale)
- E90495 (field-wireable connector) or IX0018 (connector with 5m cable) required for Inputs. (not-included)
- All pumps include a manual air vent valve except FC/SHN models.
- All pumps include one foot valve, injection valve, 20 ft. of PE tubing and ceramic weight except for SHN models.

## CONTROLLER

Operation mode	Mode	Manual
	Mode selection	Key operation
Stroke rate	Setting range	1 to 360spm
	SPM programming	UP key
STOP function	Input signal	No-voltage contact or open collector <sup>Note 1</sup>
EXT mode	Maximum spm	360spm
	Pump behavior	and certified to NSF/ANSI/CAN Standard 61. See www.walchem.com for more information. <sup>Note 2</sup>
	Input signal	No-voltage contact or open collector <sup>Note 1</sup>
Monitors	LCD	7x3 LCD with three status codes
	LED	Green LEDx1 (blinks at each shot)
Buffer		Non-volatile memory
Power voltage <sup>Note 3</sup>		100 to 240VAC 50/60Hz

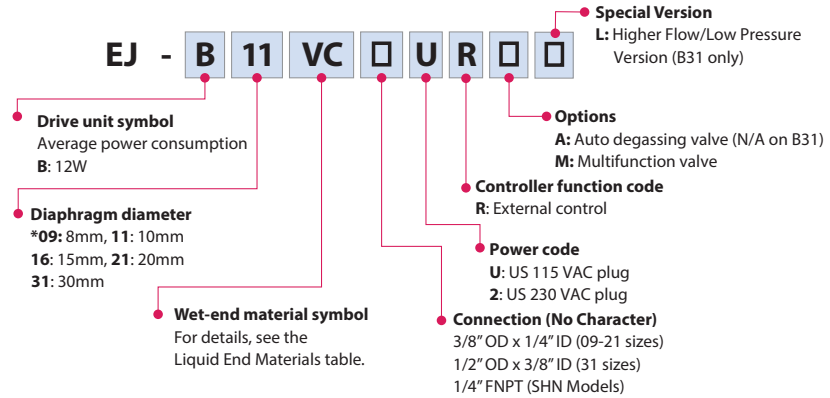
1. The max voltage from the EJ to an external contact is 15V at 3mA. When using a mechanical relay, the minimum load should be 3mA or below.
2. When the external pulse signal is over the max spm, the extra pulses are ignored.
3. The allowable voltage range is 90 to 264VAC. Outside of this range, failure may result.

## SAFETY CERTIFICATIONS

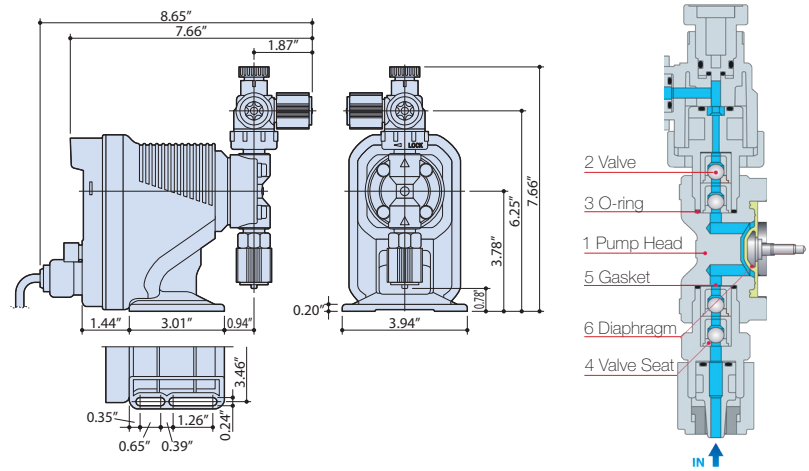
The EHE series metering pumps\* are WQA tested and certified to NSF/ANSI/CAN Standard 61.

\*See [WWW.WQA.ORG](http://WWW.WQA.ORG) for certified chemicals, parameters and MUL levels. NSF/ANSI/CAN 61 addresses health effects only. It does not address disinfection efficacy of the product.

The EHE metering pumps are tested by Intertek to UL and CSA standards.



## DIMENSIONS



## LIQUID END MATERIALS

Material	1	2	3	4	5	6
	Pump head	Valve	O-Ring	Valve seat	Gasket	Diaphragm
VC	PVC	CE	FKM	FKM	PTFE	PTFE + EPDM backer
VE	PVC	CE	EPDM	EPDM	PTFE	
VF	PVC	PTFE	EPDM	EPDM	PTFE	
TC	PVDF	CE	FKM	FKM	PTFE	
PC	GFRPP	CE	FKM	FKM	PTFE	
PE	GFRPP	CE	EPDM	EPDM	PTFE	
FC	PVDF	CE	PTFE	PCTFE	PTFE	
TA	PVDF	CE	AFLAS®	PCTFE	PTFE	
PA	GFRPP	CE	AFLAS®	PCTFE	PTFE	
SHN	316SS	316SS	---	316SS	PTFE	

CE	Alumina ceramic	EPDM	Ethylene propylene diene monomer
FKM	Fluoroelastomer	GFRPP	Glass fiber reinforced polypropylene
PTFE	Polytetrafluoroethylene	PVC	Polyvinylchloride (translucent)
PCTFE	Polychlorotrifluoroethylene	PVDF	Polyvinylidene fluoride
AFLAS®	Tetrafluoroethylene-Propylene		



# WALCHEM

IWAKI America Inc.

ISO 9001 registered company

180606 N April 2023

**Walchem, Iwaki America Inc.**

Five Boynton Road Hopping Brook Park | Holliston, MA 01746 USA | Phone 508-429-1110 | [walchem.com](http://walchem.com)